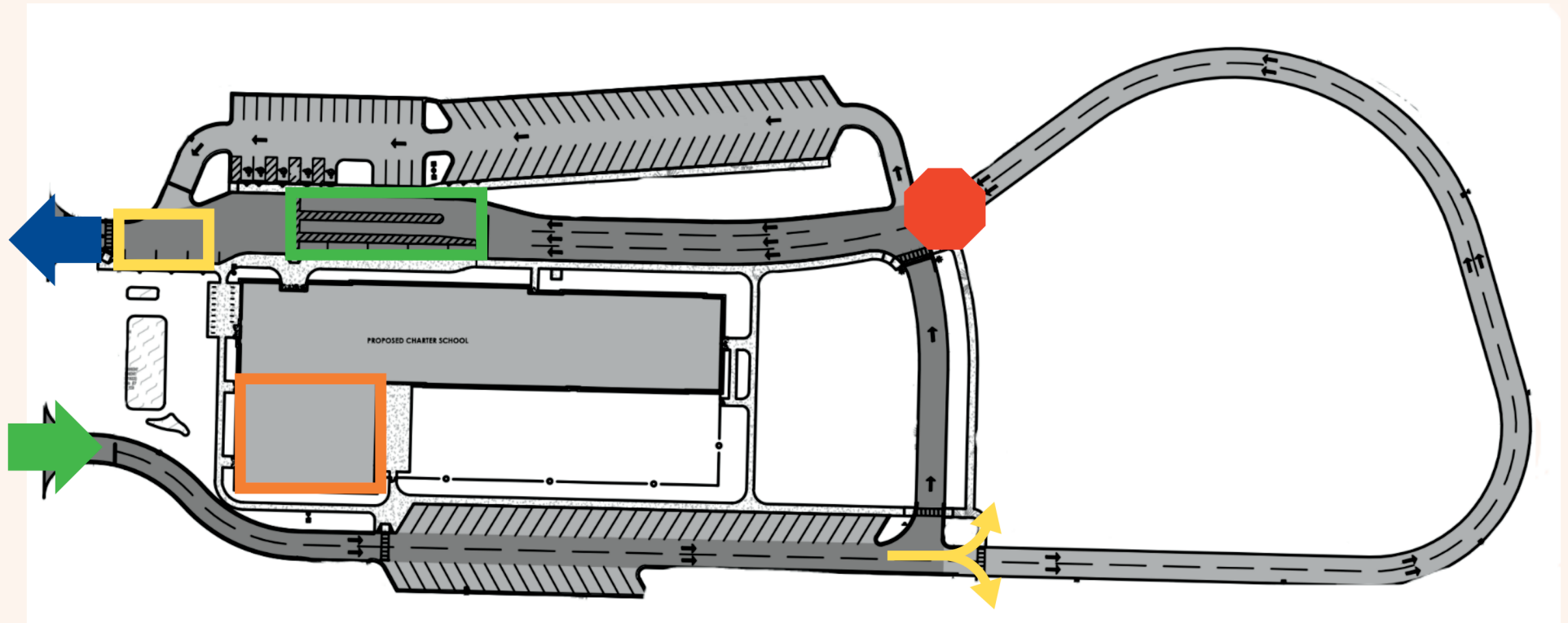




Carpool Guidelines

- 1 The carpool line will be **one way traffic**, please enter at the gym side of the building.
- 2 Please begin in the **RIGHT LANE ONLY** until you reach the signs that say Double Carpool Lane can begin. (This leaves room for emergency traffic to get around on campus.)
- 3 Begin double lane carpool at indicated point on map. **Do not switch lanes** once you reach the double carpool lanes.
- 4 **ALL** traffic must stop at **the traffic cones** and will be released from there.
- 5 Students are asked to **exit the car on the left side** of the car.
- 6 All cars should **remain in park** until directed to exit. Cars will be directed to exit by lane; single file off campus.
- 7 **ALL** exiting traffic from carpool is asked to exit to the right. **NO LEFT TURNS.**
- 8 **JAMS**-In the event your child is not at the sidewalk to be picked up you will be directed to the JAMS section on the left side of the exit.
- 9 If the Courtesy Crew helpers are present, they will assist with students getting in and out of cars. If they are not present, **students will be expected to get in and out of their vehicle independently.**



Legend



CARPOOL DROP
 OFF/PICK UP LOCATION



CARPOOL ENTRANCE
 ONE LANE TRAFFIC -
 RIGHT SIDE ONLY



CARPOOL TRAFFIC STOPS
 HERE UNTIL INSTRUCTED
 TO MOVE FORWARD



CARPOOL EXIT,
 RIGHT TURN ONLY



BEGIN TWO LANE
 CARPOOL



JAMS



GYM